

Capacitive overflow detector and recorder LSC and CSCV3



Wireless Overflow recorder : LSC

Radio HF

Memory of 50 000 measures

Wireless setting with Rfid technology

Autonomous in energy

Wired Capacitive detectors : CSC

MODBUS, Open drain NO, NC, pulse output

Compatible PLC and process

Modbus RS485 /Open drain pulse/

Open drain NO/NC output

Technologie capacitive à référentiel air

IJINUS Patent

IP68, replaceable battery

Management and monitoring of fouling

Dynamic analysis of thresholds



Recognized as an autonomous measuring systems expert, IJINUS presents the first overflow detector that integrate the CapAir® technology, IJINUS patent , simplifying installation and reducing maintenance considerably compared to a resistive and a traditional capacitive technology.

The CapAir® technology, capacitive measurement with air referential, enables reliable and unequaled water overflows detection in the toughest conditions.

GSM/GPRS/3G Communication

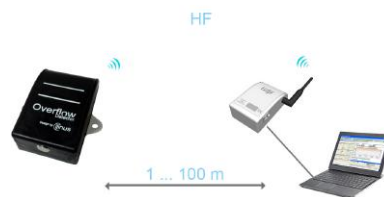
LSC, connects to an IJINUS sensor or data logger via radio that sends data by GSM to supervision software.

Autonomous and wireless, there is no more risk of damaged cable during immersion or cut by rodents.

3G



HF Communication



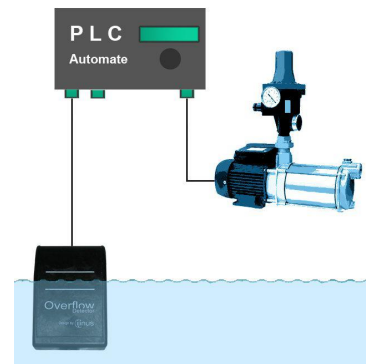
The detector and logger LSC saves the time and number of overflow.

The mobile kit allows by radio to connect to the LSC for setting and retrieving the stored data.



Modbus Communication

Associated with a PLC the CSC enables starting or stopping lifting pumps.

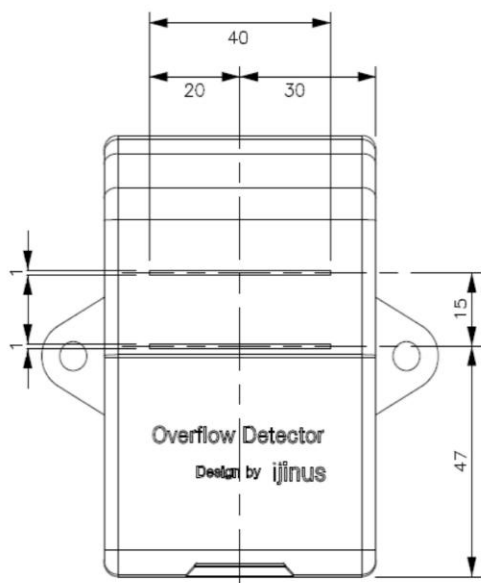


The CSC can also be connected to a Ijinus level sensor LNUV3, a data logger V3 Modbus and other PLC by Modbus connection

Capacitive overflow detector and recorder LSC and CSCV3

Wireless Overflow recorder : LSC

Technology	Capacitive technology with air referential IJINUS Patent
Detection threshold	Factory setting :90 % on dynamic threshold for wastewater
Update time	Factory setting : 30s Adjustable by 5s step
Memory	50.000 mesures
HF Antenna	Internal
Operating temperature	-40 ...80°C
Housing	Black crystalline polymer
Fixing material	Inox
Sealing	IP68
Energy	Bat : 3,6V 7Ah Replaceable battery in factory (Up to 10 years at 15°C with 2 overflows per day)
Configuration	AVELOUR Software
Weight	300g



Wired Capacitive detectors : CSC V3

To be uses with LOG04V3, LOG10V3, LNUV3, PLC and pumps

Technology	Capacitive technology with air referential IJINUS Patent
Detection threshold	Factory setting : 90 % on dynamic threshold for wastewater
Update time	Factory setting : 30s Adjustable by 5s step
Operating temperature	-40 ...80°C
Housing	Black crystalline polymer
Fixing material	Inox
Sealing	IP68
Internal battery : or external power supply :	- Bat : 3,6V 7Ah (Last 8 ans min) - 3,6...16V
Configuration	Wireless programming kit (PN : MOC0000x), via Modbus LOG V3 or sensor LNU V3
Weight CSCV3-110	790g
Cable	10m
Output	1 Modbus RS485 1 Open drain Pulse 1 Open drain NO 1 Open drain NC
Versions	- Bare wire 8 brins : CSCV3-110 - with connector M12 8Pts : CSCV3-810 - with connector for ISCO sampler : CSC-710-ISCO

Mounting kit : **HOT00054** (without tube)

Extention kit : **HOT00056**

